

Specification sheet LX 1907

LORO-X DUOSTREAM® Distant Cascade drainage

for roof terrace for the installation within the insulation layer

Main drainage

Gravity flow

Silent

Discharge rate: max. 3,8 l/sec

Water height: 35 mm

Roof penetration: -

Diameter: DN 100

LX-Number: LX 1907

Weir height: 0 mm

Drain: ventilated

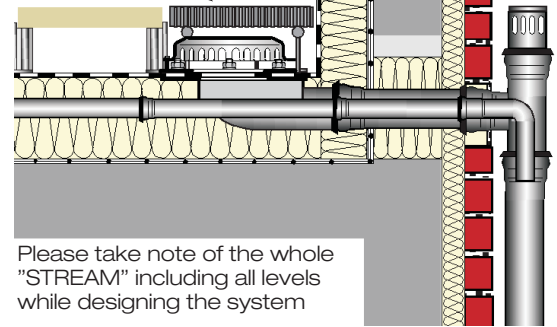
Downpipe: ventilated

Downpipe height: min. 2,5 m

Drainage: in sewer

Flange: clamping flange

Discharge of the roof terrace



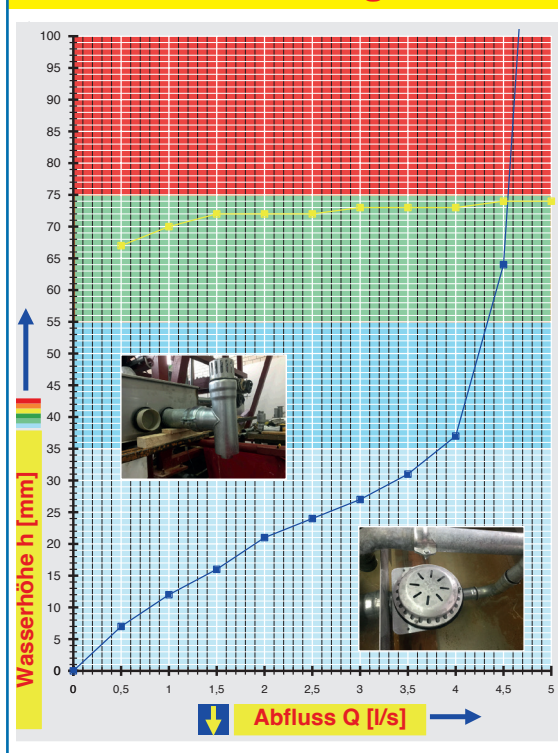
Please take note of the whole "STREAM" including all levels while designing the system

LX 1907 Piece list

- 1 x Art.-No. 13441.BD0X Cascade drainage multi-storey drain
- 1 x Art.-No. 01401.100X Pipe with one socket
- 1 x Art.-No. 01401.050X Pipe with one socket
- 1 x Art.-No. 13500.100X Cascade drainage roof terrace deflection
- 1 x Art.-No. 13217.100X Ventilation piece for downpipe ventilation
- 1 x Art.-No. 13429.DCBX, Cascade drainage roof terrace deflection

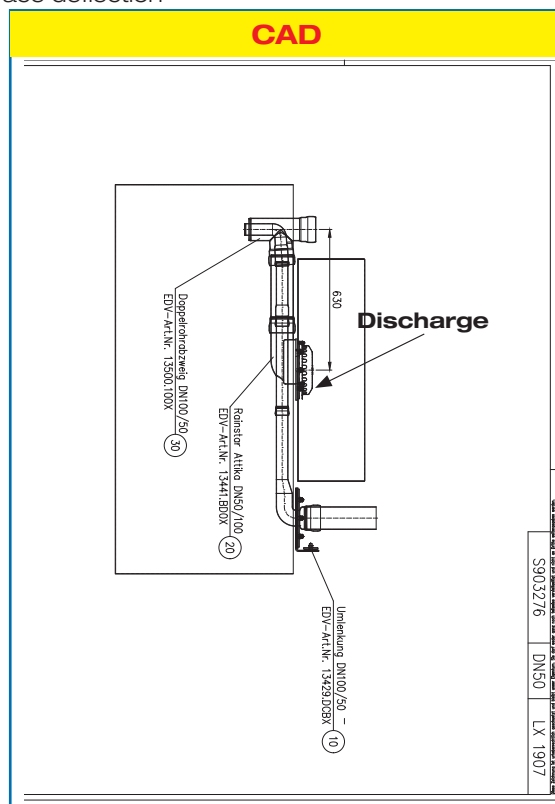
- 1 x Art.-No. 13235.100X sliding flange
- 4 x Art.-No. 00911.050X Sealing elements
- 2 x Art.-No. 00911.100X Sealing elements
- 1 x Art.-No. 00986.000X Lubricant

hQ - Head Discharge curve



Systempower

CAD



Systemshape

Water height	mm	10	15	20	25	30	35	40	45	50	55	60	65	70	75	80	85
Discharge	l/sec	0,8	1,4	1,9	2,6	3,4	3,8	4,0	4,1	4,2	4,3	4,4	5,0	5,0	5,0	5,0	5,0

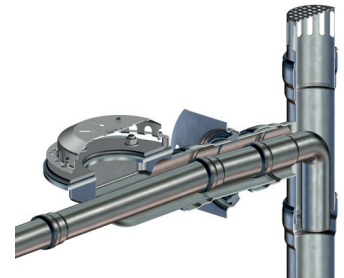
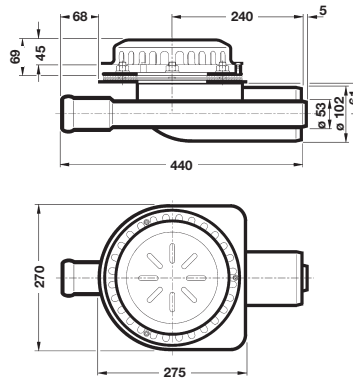
For the installation of the collector pipe within the insulation layer

LX1907-4X

Series 88

LORO-X DUOSTREAM®-Distant multi-storey drain

Drainage of the roof terrace (DN 100)
Feed-through of the upper floors (DN 50)
Art.-No. 13441.BD0X
Weight: 6,7 kg



LORO-Branch with bend - Pipe in Pipe-

for redirecting the overpressure flow in the following
downpipe, made of galvanized steel

Art.-No. 13500.100X
Weight: 3,1 kg



Art.-No. 13550.100X

Weight: 2,6 kg
short version for small distance
to the parapet



LORO-X Ventilation piece

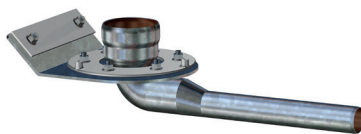
for downpipe ventilation,
made of galvanized steel,
DN 100

Art.-No. 13217.100X
Weight: 0,7 kg



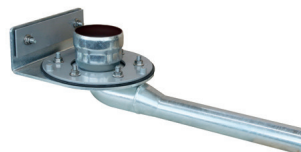
LORO-X DUOSTREAM® cascade drainage roof terrace deflection

from downpipe (DN 100)
into offset over roof terrace (DN 50)
made of galvanized steel, DN 100/50
clamping flange 45°
Art.-No. 13430.DCBX



LORO-DUOSTREAM® Roof terrace deflection

from downpipe (DN 100)
into offset over roof terrace (DN 50)
made of galvanized steel, DN 100/50
clamping flange 90°
Art.-No. 13429.DCBX



LORO-X Pipe with one socket,

made of galvanized steel
length 250 mm
Art.-No. 01401.050X
Art.-No. 01401.100X



LORO-Sealing elements

Art.-No. 00911.050X
Art.-No. 00911.100X